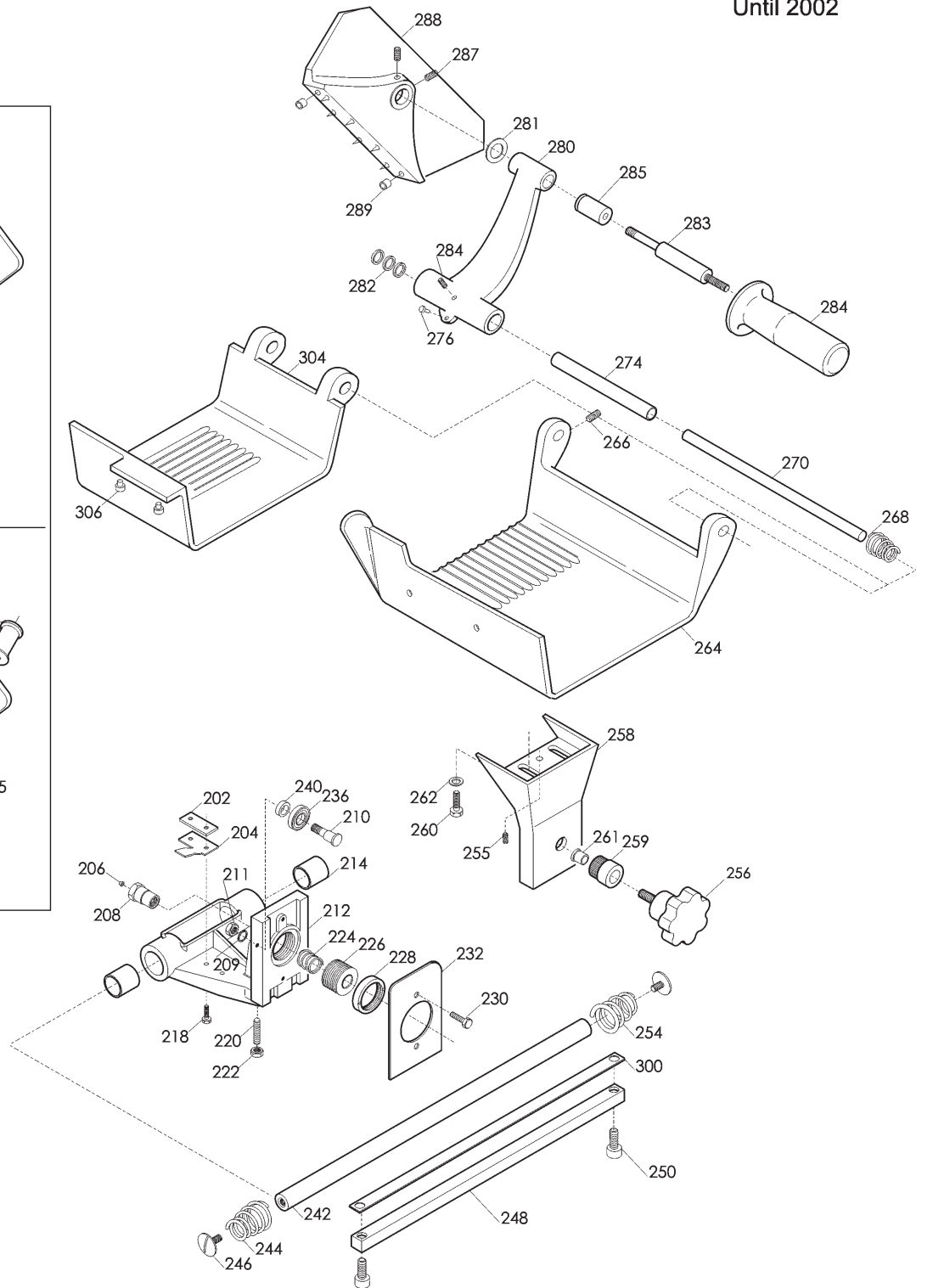
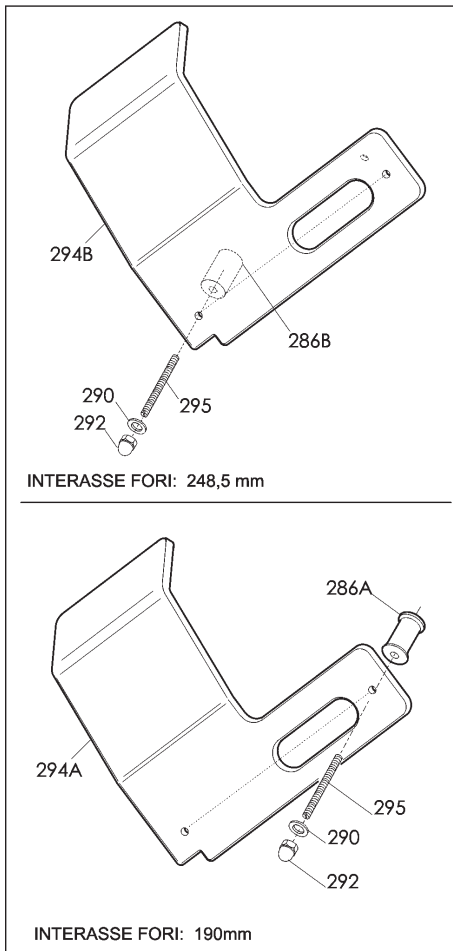
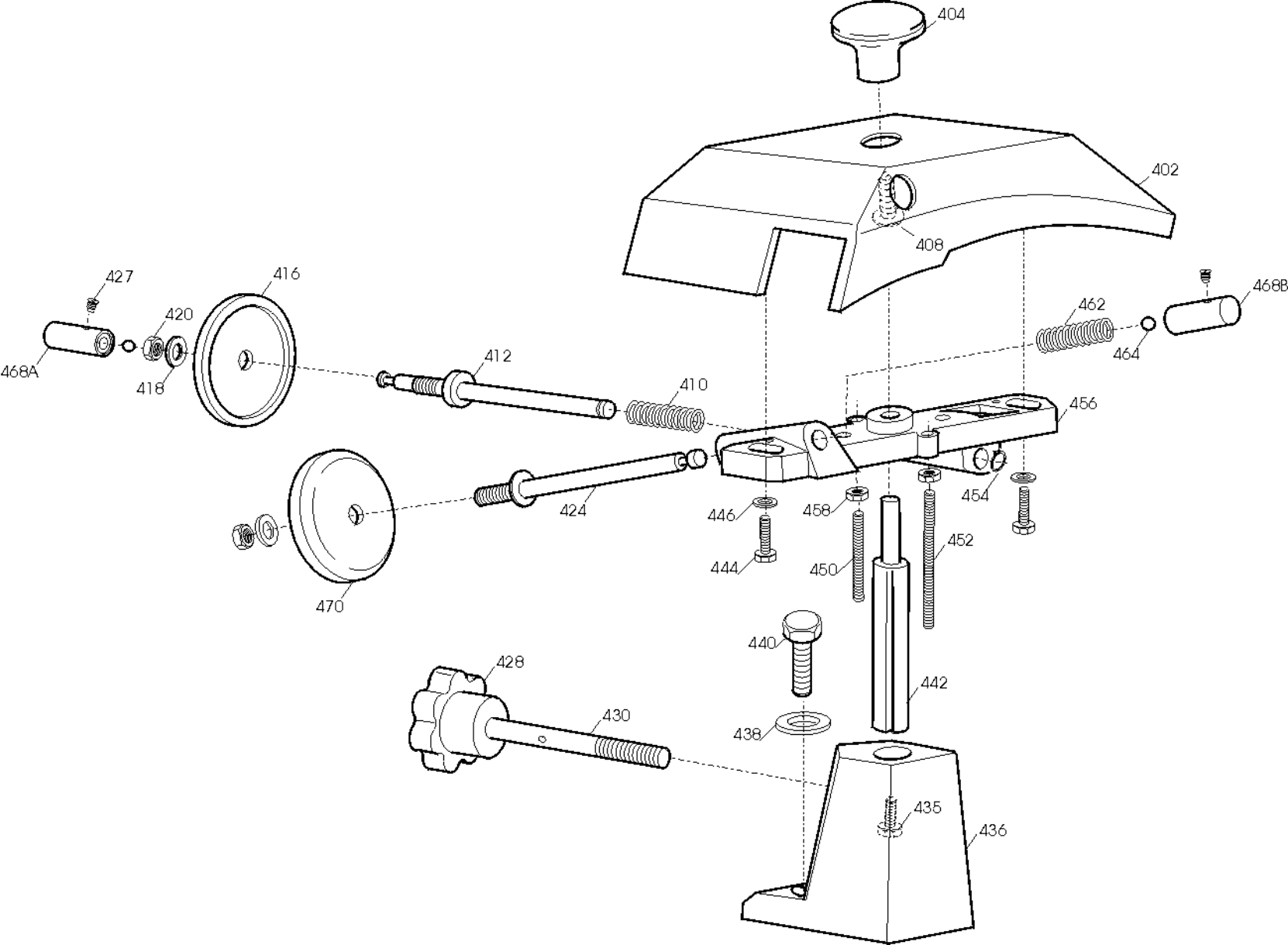
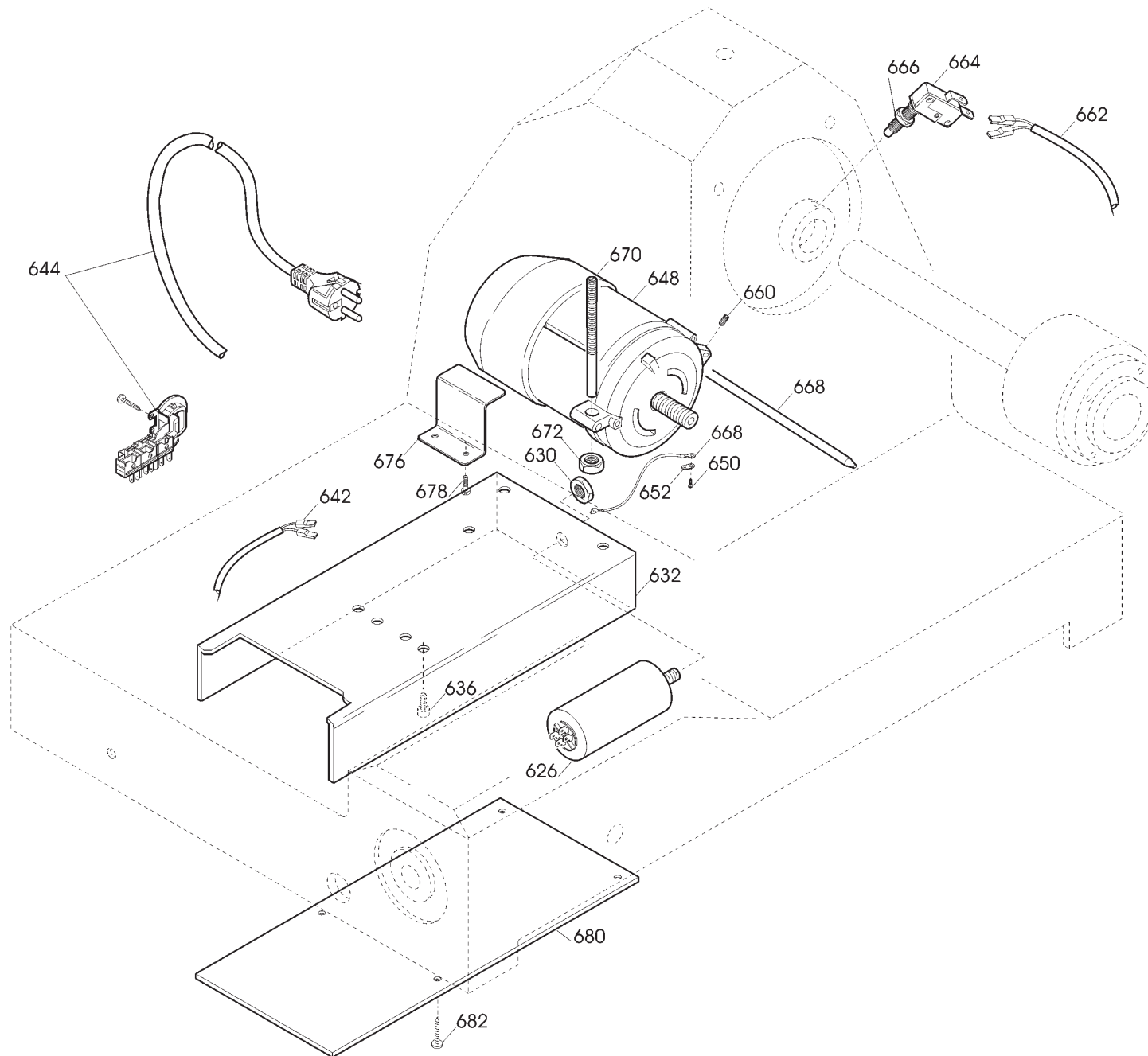
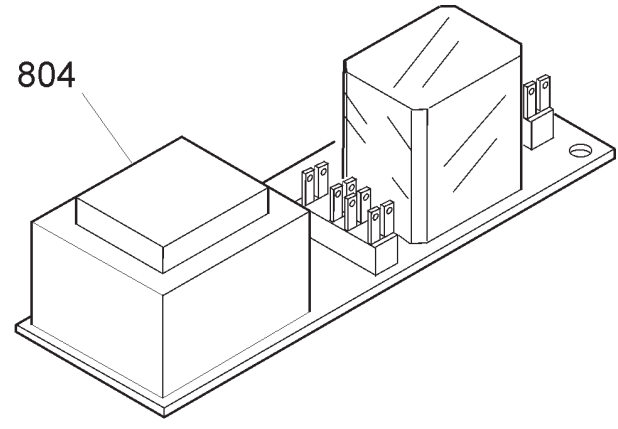
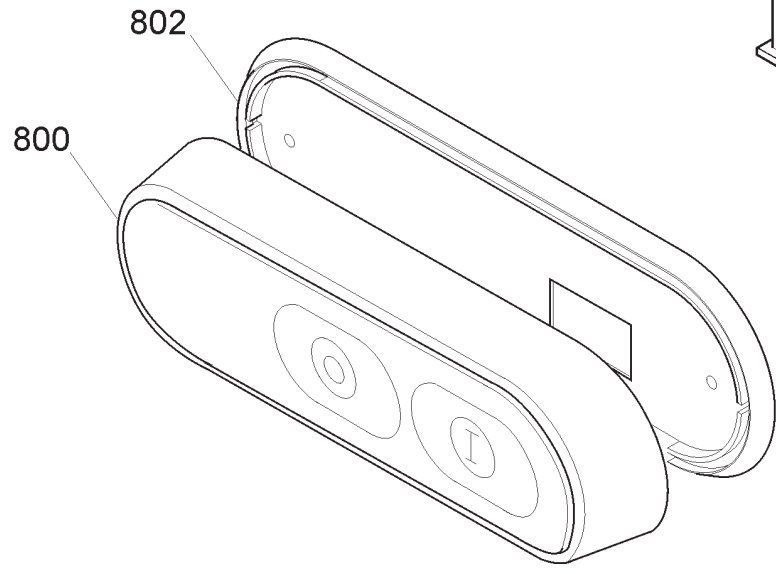


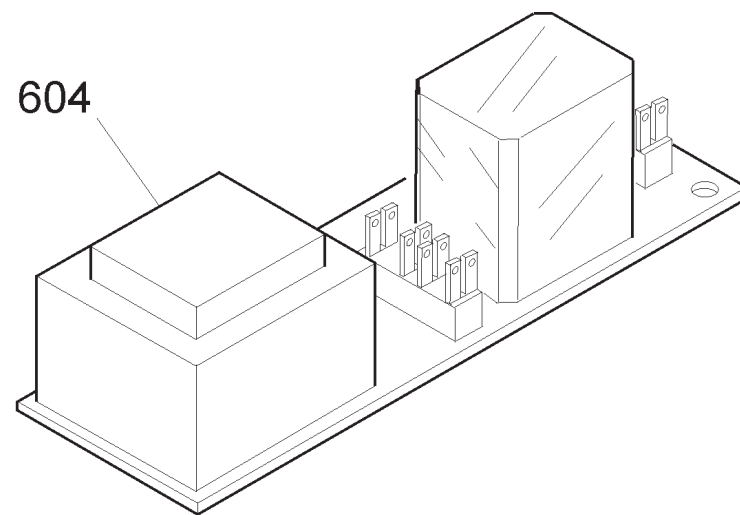
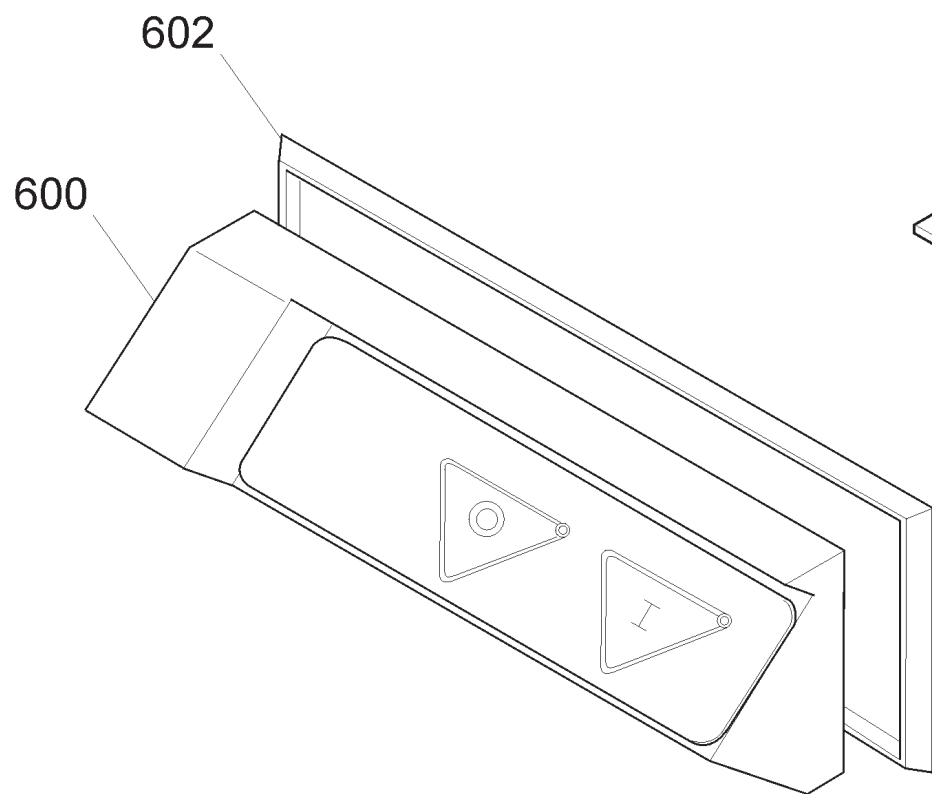
Until 2002

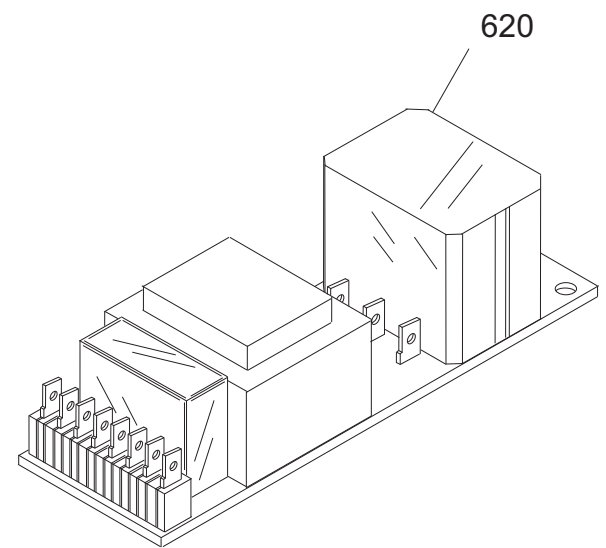
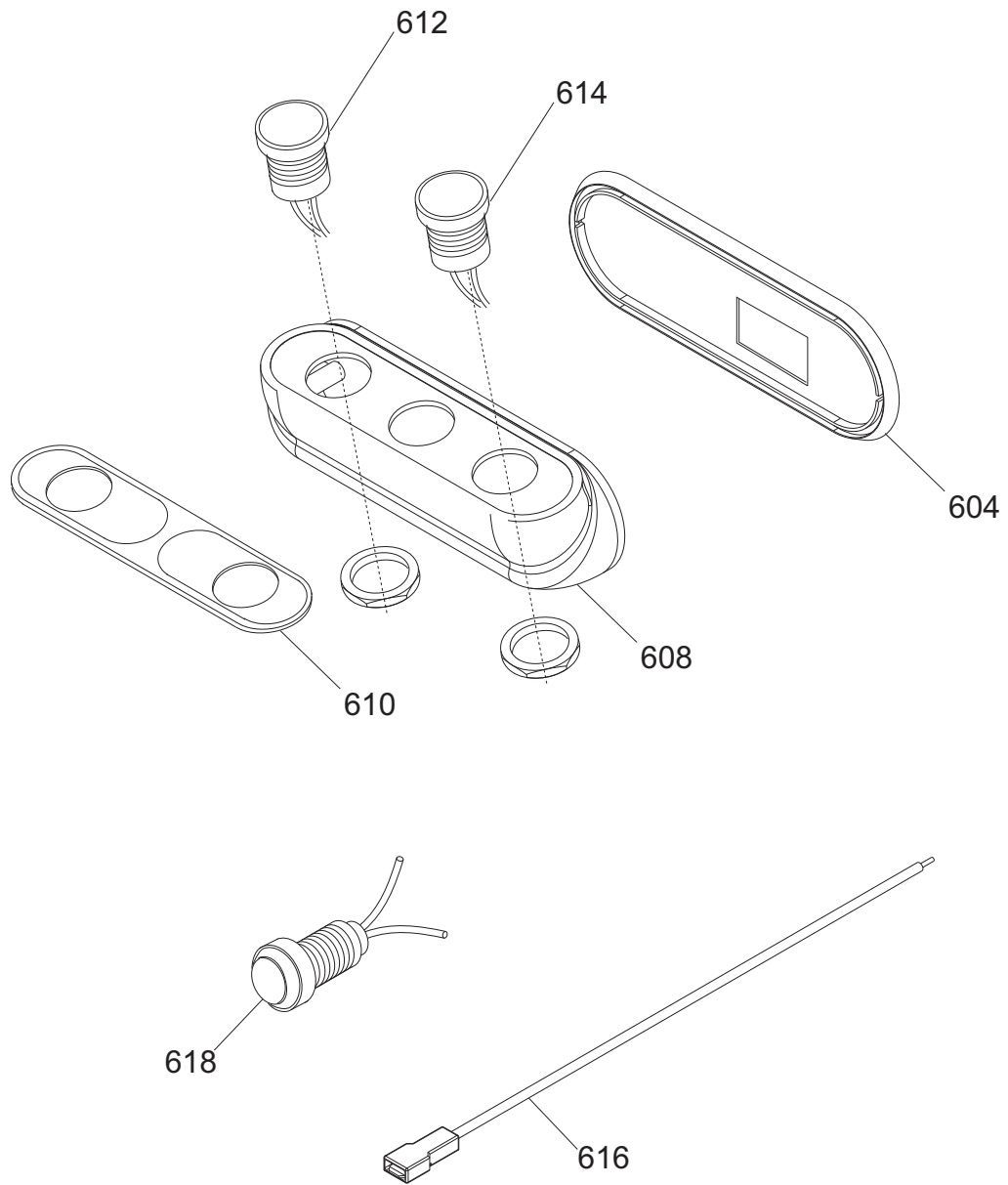


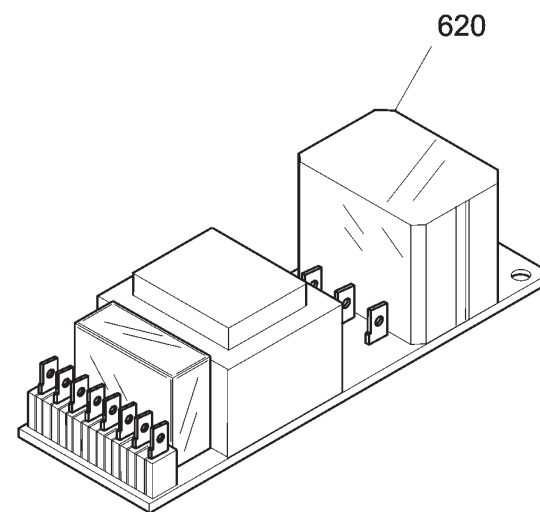
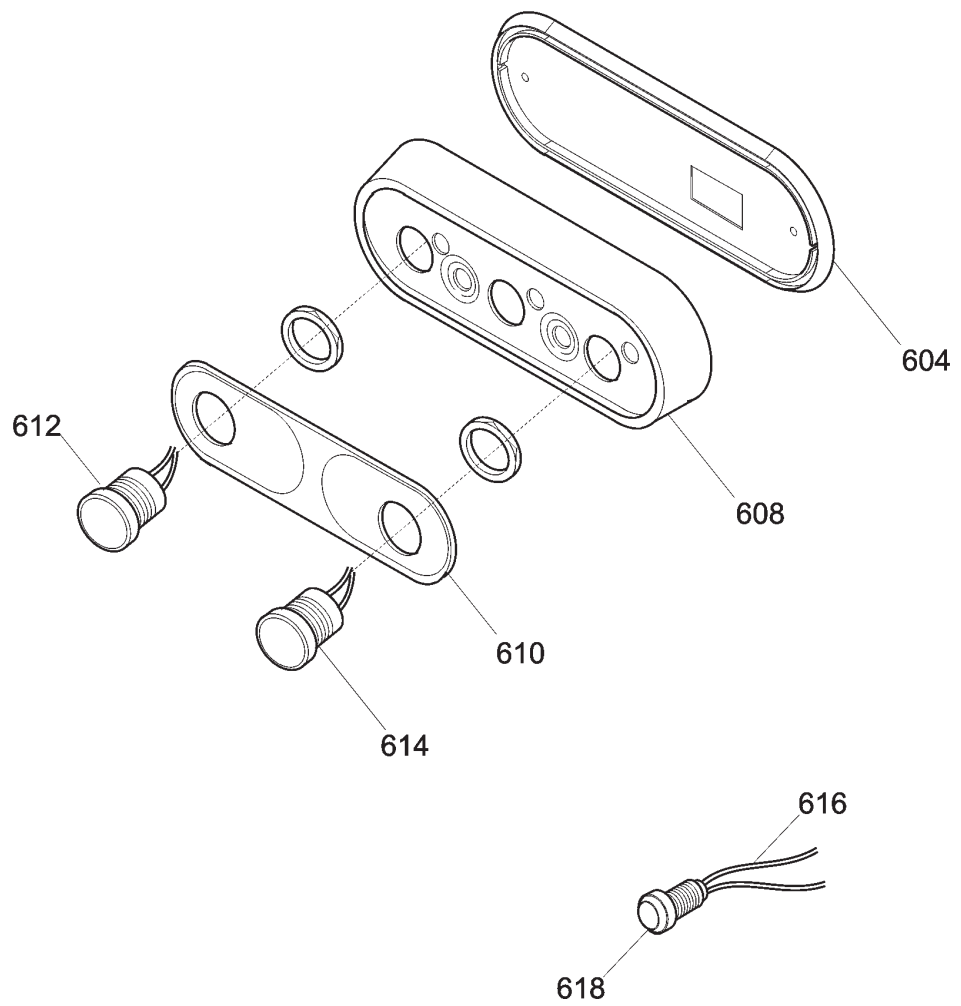












Botonera VCS 350 CE TAV. UNICA

Ref.	Nombre producido	Código
800C	SWITCH COVER WHITE	19702022
800B	PUSH-BUTTON PANEL BLUE	19702021
800A	PUSH BUTTON PANEL_ROUND	19702004
802	GASKET FOR ROUND CONTROL PANEL	19563034
804B	CIRCUIT BOARD 220-380 3-PHASE	19411008
804A	POWER CIRCUIT BOARD 230 V	19411007

Botonera VCS 350 CE TAV.UNICA

Ref.	Nombre producido	Código
600	CONTROL PANEL ASS.Y	19702002
602	SWITCH GASKET	19563032
604B	CIRCUIT BOARD 220-380 3-PHASE	19411008
604A	POWER CIRCUIT BOARD 230 V	19411007

Botonera VCS 350 CE TAV. UNICA

Ref.	Nombre producido	Código
-	CORPO PUL.NEUTRA IT MONTATA NO GUAR	19702036
604	GASKET FOR ROUND CONTROL PANEL	19563034
608	PUSH BUTTONS BOX	19563118
610	LABEL _ PUSH BUTTON PANEL OPERA/IT	19420164
612	BLACK PUSH BUTTON N.O.	19410140
614	WHITE PUSH BUTTON N.O.	19410142
616	INDICATOR LIGHT CABLE	19410750
618	380/220V PILOT LAMP	19410406
620A	PCB 230-110V LED OM.UL CB	19411102
620B	PRINTED CIRCUIT BOARD 400 V	19411103

Botonera VCS 350 CE TAV. UNICA

Ref.	Nombre producido	Código
-	PUSH-BUTTON PANEL ASS.Y OPERA	19702034
604	GASKET FOR ROUND CONTROL PANEL	19563034
608	HOUSING FOR CONTROL PANEL OPERA	19563123
610	LABEL _ PUSH BUTTON PANEL OPERA/IT	19420164
612	BLACK PUSH BUTTON N.O.	19410140
614	WHITE PUSH BUTTON N.O.	19410142
616	INDICATOR LIGHT CABLE	19410750
618	380/220V PILOT LAMP	19410406
620A	PCB 230-110V LED OM.UL CB	19411102
620B	PRINTED CIRCUIT BOARD 400 V	19411103

VCS 350 CE TAV. 1/4

Ref.	Nombre producido	Código
4	FOOT M8 FOR SLICER 275-370	19560202
6	BLADE COVER 350	19510209
8	BLADE COVER KNOB	19021110
12	TIE ROD LOCK NUT FOR SLICER	19530909
16	GB BLADE 350 - 57/4/280 CE	18350574280GF
16	BLADE 350 - 57/4/280 CE	18350574280F

16T	BLADE 350 - 57/4/280 TEFLON CE	18350574280TF
18	MICROSWITCH HOLDER RING	SM503404
22A	PULLEY FOR SLICER	19700317
22B	PULEG.PIAT.MONT.LUNGA SV350 DAL2006	19700317.06
24	BELT TB2 630 X 12	19310215
28	MICROSWITCH HOLDER RING	19540909
32	TIE ROD FOR SLICER	19530515
34	TIE ROD KNOB M8X5_SLICER 300-370	19562504
38	DEFLECTOR SCREW M5 _ MIRRA	19335014
40	VELA SV 350 CE OSSIDATA	19510315C
44	PARAGRAS.350 SV-SC OSSIDATO	19511915
56	RONDELLA X VELA 300-330 SVASAT	19346009
58	SUP.VELA SV 350-370 OSSIDATO	19510715
64	MOVIMENTO VELA TV 350-370 LAVORATO	19500115
66	SLIDE GUIDE _ SLICER 300-370	19540609
72	DEFLECTOR SCREW M5 _ MIRRA	19335014
74	BOCCOLE BRONZO 22.24.20 MOVIM	19324008
78	Gauge movement spring FOR SLICER	19390205
82	BRASS STUD BOLT 6X25	19337002
90	MOVEMENT PIN FOR SLICER 300-370	19336069
92	CAMMA CE VERT. 350/370	SM190100025
96	CORRUGATED WASHER 19	19342006
100	WASHER FOR TABLE ADJUSTMENT	19562410
102	DIAL KNOB FOR SLICER P18	19562404
104	PROTEZIONE INF. SV 350-370	19531615
120	BLADE REMOVAL TOOL 350	19702512

VCS 350 CE TAV. 2D/4

Ref.	Nombre producido	Código
202	THREADED RELEASE PLATE _ SLICER CE	19533200
204	PIAST. SGANCIO CARR. 350-370 CE	19533215
206	RELEASE NEEDLE _ SLICER 300-385 CE	19565001
208	CARRIAGE RELEASE PIN FOR SLICER	19534035
210	Bearing pin	19540809
212	CARRELLO 350-370 CE LAVORATO	19500519
220	BRASS STUD BOLT 6X25	19337002
224	CARRIAGE RELEASE SPRING _ 300-370CE	19390601
226	THREADED BUSHING_SLICER 300-330 CE	19534025
228	LOCKRING(EXT.THREADING)-300-330 CE	19534030
232	CARRIAGE PLATE SLICER 350-370	19533009
236	BEARING FOR SLICER 6000 2RS R11	19320154
240	BEARING WASHER	19346015
242	ROUND RAIL SLICER 350-370	19530615
246	Round bar chromed screw	19335003
248	SQUARE RAIL - SLICER 350/370	19540109
254	MOLLA BARRA TONDA 350-370 SG CE	19390119
256	KNOB V5L M10X35 TGI	SM211015
258	GAMBO SV 350-370 CE OSSIDATO	19510615C
259	BUSSOLA INOX GAMBO 300 LNR-MNT	19534022
261	MILLED BUSHING _ SLICER 300-370 CE	19534016

264	PIATTO SC 350-370 OSSIDATO	19510418
268	MOLLA X ASTINA 14	19390402
270	SHAFT - PUSHER SLICER 350-370	19530418
274	TUBO C/BOSSOLE 14 SC 350-385	19541007
276	PARAC. P.MERCE V.	19563205
280	LEVA 350-370 SC OSSIDATA	19511818
282	PARAC. PER SCORREVOLE	19563209
283	HANDLE SHAFT SLICER 300-350	19541101
284	MEAT PRESS KNOB FOR SLICER CE	19562904
286A-B	SPACER FOR HAND GUARD FOR SLICER	19521609
288	END WEIGHT 350-370	19531204
289	RUBBER BUFFER D.14 FOR SLICER LEO	19560102
290	WASHER 6X24	19340165
292	NUT M 06	19362008
294B	HAND GUARD _ SLICER 300-370	19562336
294A	FINGER GUARD FOR SLICER 300-350	19562335
295	INSERT FOR SLICER M6X62	19336004
300	Tempered plate	19530809
304	SCORREV. 350-370 SC OSSIDATA	19511618

VCS 350 CE Tav. 2a

Ref.	Nombre producido	Código
202	THREADED RELEASE PLATE _ SLICER CE	19533200
204	PIAST. SGANCIO CARR. 350-370 CE	19533215
206	RELEASE NEEDLE _ SLICER 300-385 CE	19565001
208	CARRIAGE RELEASE PIN FOR SLICER	19534035
210	Bearing pin	19540809
212	CARRELLO 350-370 CE LAVORATO	19500519
220	BRASS STUD BOLT 6X25	19337002
224	CARRIAGE RELEASE SPRING _ 300-370CE	19390601
226	THREADED BUSHING _ SLICER 300-330 CE	19534025
228	LOCKRING(EXT.THREADING)-300-330 CE	19534030
232	CARRIAGE PLATE SLICER 350-370	19533009
236	BEARING FOR SLICER 6000 2RS R11	19320154
240	BEARING WASHER	19346015
242	ROUND RAIL SLICER 350-370	19530615
246	Round bar chromed screw	19335003
248	SQUARE RAIL - SLICER 350/370	19540109
254	MOLLA BARRA TONDA 350-370 SG CE	19390119
256	KNOB V5L M10X35 TGI	SM211015
258	GAMBO SV 350-370 CE OSSIDATO	19510615C
259	BUSSOLA INOX GAMBO 300 LNR-MNT	19534022
261	MILLED BUSHING _ SLICER 300-370 CE	19534016
264	PIATTO CARNI NUOVO LNR 350+385 OSS	19510430
268	SLIDING TUBE FOR LNR VCS	19541006
270	SHAFT - VCS HOPPER LEONARDO	19530454
271	PLASTIC BUMPER PUSHER LNR	19563219
272	BUSHING 16,18,20 FOR SLICER	19324107
274	LEVER FOR PUSHER LNR-MNT	19511854
278	PLASTIC BUMPER PUSHER LEVER LNR	19563216

280	PERNO PORTA PARAC.STAFFA CARNI LNR	19533755
281	BUMPER,END WEIGHT D8XHT6 FOR SLICER	19563200
285	END WEIGHT SLEEVE _ LEO BS2 350-385	19335256
286B	PIASTR.PRESS.LNR CAR.NEW 350-385 IX	19531754
286A	STAFFA 350-385 LNR CARNI OSSIDATA	19511754
287	FLANGIA 350-385 PIASTR.CAR. NEW OSS	19511846
292A	MEAT PRESS BUFFER	19563207
292B	PARAC.P.MERCE PIATTO CARNI GIG. Y06	195632078
294	SPACER FOR LNR VCS	19522639
299	DIST. MANOPOLA STAFFA BS2 LNR	19335258
300	SHAFT FOR LNR VCS PUSHER	19531306
302	DADO PERNO ROT. CARRO CARNI LNR	19335070
303	SEEGER E 7	SM16004001
304	SCORREV. PIATTO CARNI NEW OSSIDATA	19511654
305	PERNO ROTEL.X CAR.NUOVO LNR	19540816
306	PRESSER SPACER FOR SLICER LEONARDO	19522635
307	RUOTINA X CARRO CARNI NUOVO LNR	19563606
310	MEAT PRESS KNOB FOR SLICER CE	19562904
312	DADO X TUBO+BUSS.CARNI NUOVO LNR M22	19335071
318	BLOCCH.SCORRIM.CARNI NUOVO LNR	19525056
320	HAND GUARD _ SLICER 300-370	19562336
326	SPACER FOR HAND GUARD FOR SLICER	19521609
328	STUD BOLT M6X62 FOR SLICER	19336103
330	WASHER 6X24	19340165
332	NUT M 06	19362008
336	VITE BLOCCAG.PIATTO CARNI+BS2 NUOVO	19335045
340A	BLOCCH.INCLIN.CARNI PIATTO LNR OSS.	19525055
340B	ORECCH.ALL.PIATTO CARNE SUPER SAG T	SM13002004
344	SPRING FOR LNR VCS CARRIAGE	19390406
346	BLOCCH.PIATTO CARNI NUOVO LNR OSS.	19525058
350	SPESSORE PIATTO CARNI LEO+BS2 350/385	19521154

VCS 350 CE TAV 3/4

Ref.	Nombre producido	Código
402	Sharpener assembly cover	19511208C
404	SHARPENER HOUSING KNOB	19562702
410	SHARPENER PINS SPRING FOR SLICER	19390309
412	DEBURRING PIN FOR SLICER 330-370	19540709
416	DEBURRING STONE D.50 H.8 F.8	19300208
422	BALL 4.762/IV LARGE	19320301
424	SHARPENING STUD FOR SLICER 330-370	19540708
427	BUTTON LOCKING SCREW_SLICER 250-370	19335025
428	SHARPENER LOCKING KNOB	SM592400
430	SHARPENER SUPPORT STUD BOLT L=75 MM	19336010
436	Aluminum sharpener support	19511108
450	STUD BOLT M5 X 30	19336003
452	Sharpener long stud bolt	19336005
456	Sharpener frame	19500208
464	BALL 4.762/IV LARGE	19320301
468A	DEBURRING PUSH BUTTON FOR SLICER	19550208

468B	DEBURRING PUSH BUTTON FOR SLICER	19550208
470	SHARPENING STONE D.48 H15 Y10	19300108C.10

VCS 350 CE TAV.4/4

Ref.	Nombre producido	Código
626B	CAPACITOR 10UF UL	19410306
626A	CAPACITOR FOR SLICER 10UF	19410307
632	Relay box	19563111
642A	CAVET.ALIM PULS-PA 205 AFF MN	19410718
642B	CAVET.ALIM PULS-PA 205 AFF TF	19410719
644	POWER CORD SUKO PA 205	19410530
648A	MOTOR - SLICER 350-370 230V, 50HZ	19400109
648B	MOTORE 350 TF C.PIATTA 380-50	19400409
662	MICROSWITCH WIRING F.SLICER 300-370	19410703
664A	MICROSWITCH SINGLE-PHASE	19410201
664B	MICRO INTERRUETTORE TRIFASE	19410202
668	Motor pin	19540509
676	STAFFA TIR. MOTORE SV 350-370	19540315
680	Relay cover	19563112